

# 2/3/4/5 Megapixel H.265 ABF Pro Box Network Camera



MS-C2851-(R)PB/MS-C2951-(T)(R)(E)PB/  
MS-C3751-PB/MS-4451-(E)PB/  
MS-C5351-(H)(E)PB

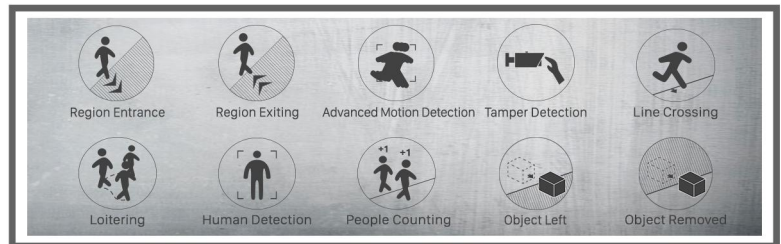
**DATASHEET**

## KEY FEATURES

- ▶ **Smart Stream** (Bandwidth, storage and bit rate are saved with Smart Stream On, eg, H.265+ saves 70%~80% bandwidth that of H.264.)
- ▶ **Auto Back Focus** (Enabling camera to adjust back focal length automatically.)
- ▶ **140dB Super WDR** (Excellent performance even when the ratio of the luminosity of brightest and darkest is up to 140dB.)
- ▶ **Advanced Functions** (Boasting to support various advanced functions such as HLC, Defog, ROI.)
- ▶ **ICR Filter** (Filtering the infrared ray out in the day, and automatically switch day and night mode.)
- ▶ **RS485 port** (Connecting an external electrical rotating bracket with the camera to realize PTZ control through WEB/ NVR/ CMS/ VMS/ APP interfaces.)
- ▶ **256G** (Supporting ultra-large external microSD/SDHC/SDXC card storage up to 256G.)

## Video Content Analysis

Milesight VCA with 10 detection modes provides advanced, accurate smart video analysis for Milesight network cameras, enabling the comprehensive surveillance function and quicker response to different monitoring scenes.

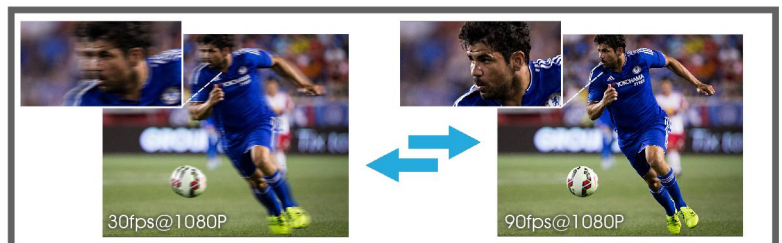


## 0.001Lux Ultra Low-light

The starlight camera is able to deliver high detailed color images even in low light environment reaching 0.001Lux(Color) or 0.001Lux(B/W), and near infrared light environments without any supplementary lighting.

## 90fps

The high frame rate ups to 90fps@1080P resolution, which triples the number of frames offered by conventional HD network cameras. It enable Milesight cameras to capture real-time and low-latency images of fast moving objects clearly.



## 3 in 1 Super WDR Pro - 140dB

Milesight upgraded 3 in 1 Super WDR Pro outputs three frames each line, which is able to bring more details especially moving subjects. What's more, it greatly improves image quality for reducing smear and noisy points. The ratio that the brightest light signal values divided by the darkest light signal values is up to 140dB.

# H.265 ABF Pro Box Network Camera

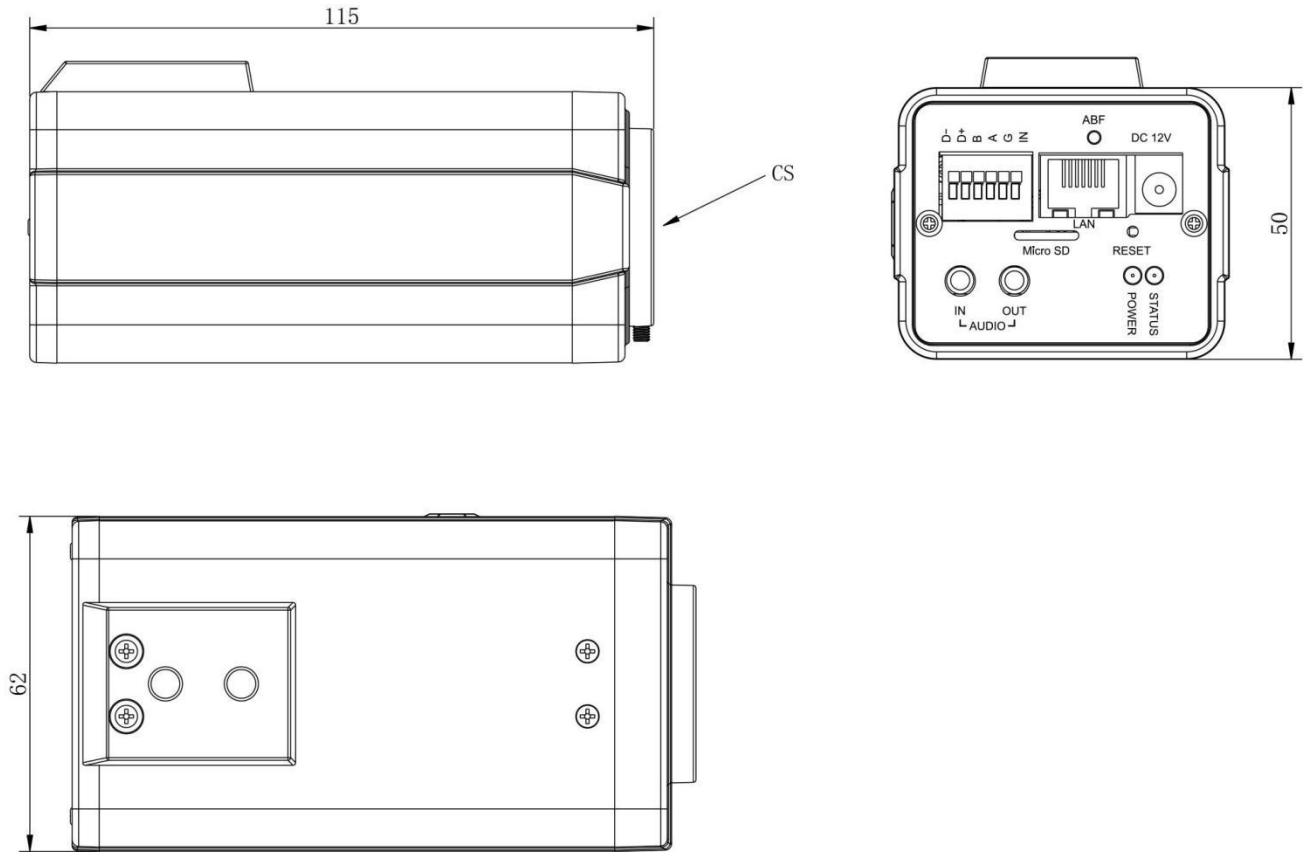


	Model	MS-C2851-(R)PB (2MP)	MS-C2951-(T)(R)(E)PB (2MP)	MS-C3751-PB (3MP)	MS-C4451-(E)PB (4MP)	MS-C5351-(H)(E)PB (5MP)
<b>Camera</b>	Image Sensor	1/2" Progressive Scan CMOS	1/2.8" Progressive Scan CMOS		1/3" Progressive Scan CMOS	1/2.8" Progressive Scan CMOS
	Min. Illumination	Color: 0.001Lux@F1.2 B/W: 0.0005Lux@F1.2	Color: 0.002Lux@F1.2 B/W: 0.001Lux@F1.2	Color: 0.005Lux@F1.2 B/W: 0.002Lux@F1.2	Color: 0.008Lux@F1.2 B/W: 0.004Lux@F1.2	Color: 0.005Lux@F1.2 B/W: 0.002Lux@F1.2
	WDR	140dB Super WDR	140dB Super WDR <b>(Super WDR Pro is optional for T Series)</b>	120dB Super WDR		
	Mount	C/CS				
	Iris	P-Iris/DC-Iris				
	Shutter Time	1/100000s~1s				
	Day&Night	ICR Filter Auto Switch				
<b>Video</b>	Max. Image Resolution	1920x1080		2048x1536	2592x1520	2592x1944
	Primary Stream	<b>60fps@(1920x1080) (Optional for R Series),</b> 30fps@(1920x1080, 1280x960, 1280x720, 704x576)	<b>90fps@(1920x1080) (Optional for T Series),</b> <b>60fps@(1920x1080) (Optional for R Series),</b> 30fps@(1920x1080, 1280x960, 1280x720, 704x576)	30fps@(2048x1536, 1920x1080, 1280x960, 1280x720, 704x576)	20fps@(2592x1520), 30fps@(2304x1296, 1920x1080, 1280x960, 1280x720, 704x576)	<b>30fps@(2592x1944) (Optional for H Series),</b> 20fps@(2592x1944), 30fps@(1920x1080, 1280x960, 1280x720, 704x576)
	Secondary Stream	30fps@(704x576, 640x480, 640x360, 352x288, 320x240, 320x192, 320x176)				
	Tertiary Stream	30fps@(1920x1080, 1280x720, 704x576, 640x480, 640x360, 320x240, 320x192, 320x176)				
	Video Compression	H.265 <sup>+</sup> /H.265(HEVC)/H.264 <sup>+</sup> /H.264/MJPEG				
	Video Bit Rate	16Kbps~16Mbps(CBR/VBR Adjustable)				
	Image Setting	Brightness/Contrast/Saturation/Sharpness				
<b>Network</b>	Ethernet	1*RJ45 10M/100M Ethernet Port				
	Network Storage	NAS(Support NFS, SMB/CIFS)				
	Protocol	IPv4/IPv6, TCP, UDP, RTP, RTSP, RTCP, HTTP, HTTPS, DNS, DDNS, DHCP, FTP, NTP, SMTP, SNMP, UPnP, SIP, PPPoE, VLAN, 802.1x, QoS, IGMP, ICMP, SSL				
<b>Audio</b>	Audio Compression	G.711/AAC				
	Audio I/O	1/1				
<b>System</b>	Alarm I/O	1/1				
	Auto Back Focus	N/A	Support(Optional)	N/A	Support(Optional)	
	Storage	Support microSD/SDHC/SDXC Card Local Storage, up to 256G				
	Advanced Function	Privacy Masking, Backlight Compensation, HLC, 2D DNR, 3D DNR, ROI, Anti-fog, White Balance, EIS, IP Address Filtering				
	SIP/VoIP Support	Yes, Voice & Video-over-IP				
	Event Trigger	Motion Detection, Network Disconnection, Audio Alarm, External Input, etc.				
	Event Action	FTP Upload, SMTP Upload, SD Card Record, External Output, SIP Phone, HTTP Notification, etc.				
	Video Analysis (Optional)	Region Entrance, Region Exiting, Advanced Motion Detection, Tamper Detection, Line Crossing, Loitering, Human Detection, People Counting, Object Left, Object Removed				
System Compatibility	ONVIF Profile S & G					
<b>General</b>	Working Temperature	-40°C~60°C				
	Working Humidity	0~90%(Non-condensing)				
	Power Supply	PoE (802.3af)/ DC 12V±10%				
	Power Consumption	3.5W MAX for -PB Series	2.5W MAX for -PB Series 7W MAX for -EPB Series	3W MAX for -PB Series	2.5W MAX for -PB Series 7W MAX for -EPB Series	
	Weight	407g				
	Dimensions	115mmX62mmX50mm				
	Warranty	3/5 Years				

# H.265 ABF Pro Box Network Camera



## Structure Diagrams



Units: mm

## Accessories Support

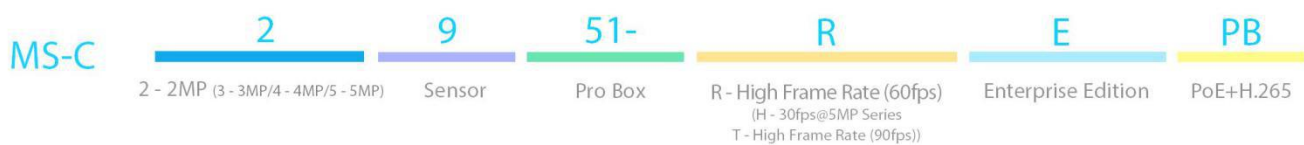
A51 Protective Housing

Weight: 1988g

Dimensions: 380\*150\*H mm(H is adjustable)



## Naming Convention



Milesight Technology Co.,Ltd. | [www.milesight.com](http://www.milesight.com)

Contact Us: [sales@milesight.com](mailto:sales@milesight.com) | [support@milesight.com](mailto:support@milesight.com)

Add: 220 NE 51st Street, Oakland Park, Florida 33334, USA  
Tel: +1-800-561-0485

Add: 925, Anyang SK V1 Center, LS-ro 116beon-gil, Dongan-gu, Anyang-si, Korea  
Tel: +82-31-990-7772

Add: No.23 Wanghai Road, 2nd Software Park, Xiamen, China  
Tel: +86-592-5922772

