

2 Megapixel LPR H.265 ABF Pro Box Network Camera



MS-C2951-(Q)(R)(E)LPB

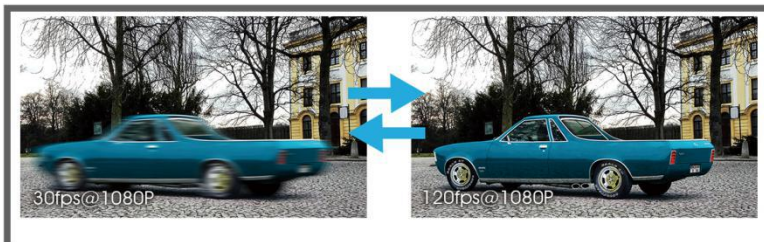
DATASHEET

KEY FEATURES

- ▶ **Smart Stream** (Bandwidth, storage and bit rate are saved with Smart Stream On, eg, H.265+ saves 70%~80% bandwidth that of H.264.)
- ▶ **Auto Back Focus** (Enabling camera to adjust back focal length automatically.)
- ▶ **Advanced Functions** (Boasting to support various advanced functions such as HLC, Defog, ROI.)
- ▶ **ICR Filter** (Filtering the infrared ray out in the day, and automatically switch day and night mode.)
- ▶ **RS485 port** (Connecting an external electrical rotating bracket with the camera to realize PTZ control through WEB/ NVR/ CMS/ VMS/ APP interfaces.)
- ▶ **256G** (Supporting ultra-large external microSD/SDHC/SDXC card storage up to 256G.)

License Plate Recognition

Embedded in camera with no PC server required, the LPR allows network cameras to capture real-time license plate in both the highest levels of glare and the darkest hours of the night.



120fps

With the industry leading frame rate reaching 120fps, the cameras can easily catch images with no latency despite of the high-speed movement, which is the best choice for the demanding requirements especially for intelligent cameras.

3 in 1 Super WDR Pro - 140dB

Milesight upgraded 3 in 1 Super WDR Pro outputs three frames each line, which is able to bring more details especially moving subjects. What's more, it greatly improves image quality for reducing smear and noisy points. The ratio that the brightest light signal values divided by the darkest light signal values is up to 140dB.



0.002Lux Ultra Low-light

The starlight camera is able to deliver high detailed color images even in low light environment reaching 0.002Lux(Color) or 0Lux(B/W), and near infrared light environments without any supplementary lighting.

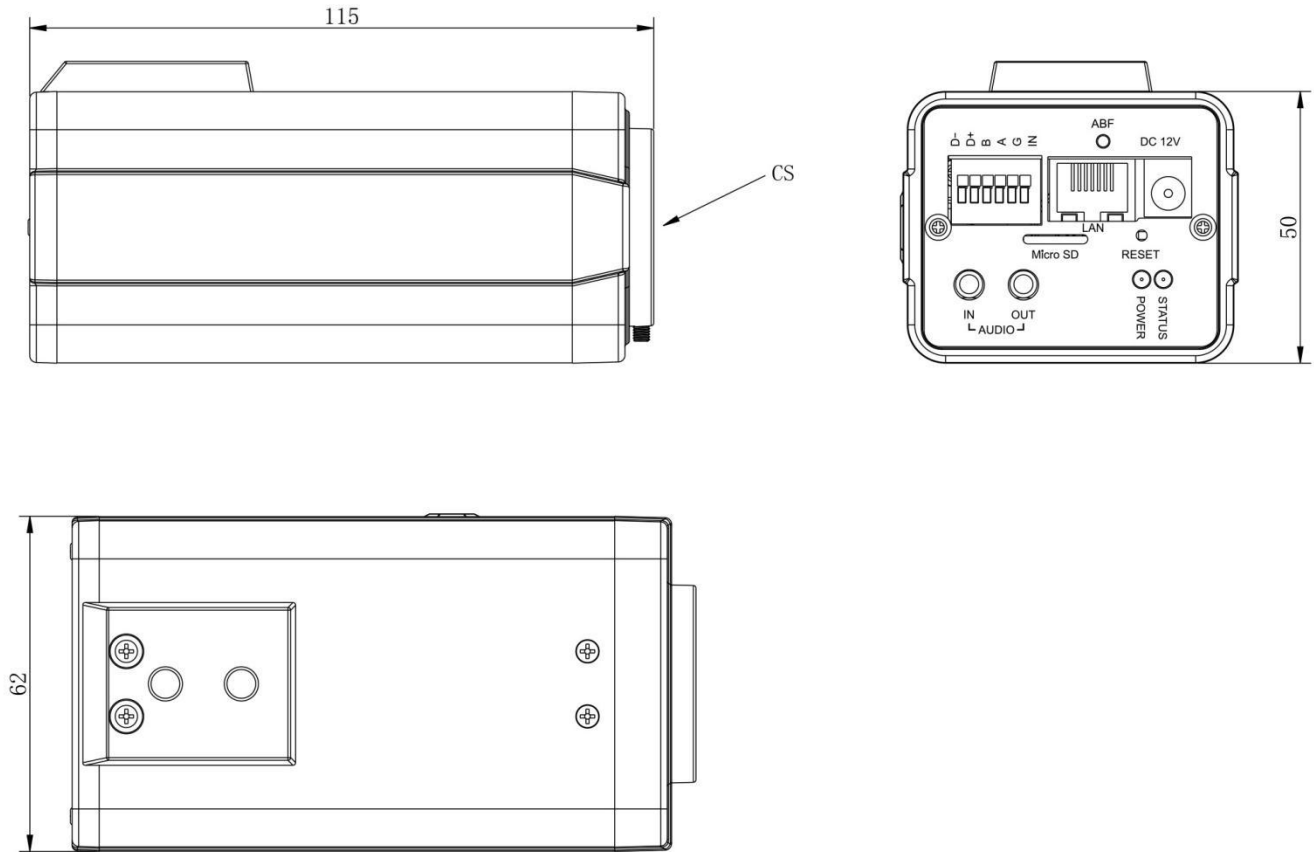


	Model	MS-C2951-(Q)(R)(E)LPB (2MP)
Camera	Image Sensor	1/2.8" Progressive Scan CMOS
	Min. Illumination	Color: 0.002Lux@F1.2 B/W: 0.001Lux@F1.2
	WDR	140dB Super WDR (Super WDR Pro is optional for Q Series)
	Mount	C/CS
	Iris	P-Iris/DC-Iris
	Shutter Time	1/100000s~1s
	Day&Night	ICR Filter Auto Switch
	Max. Vehicle Speed	120km/h
	Video	Max. Image Resolution
Primary Stream		120fps@(1920x1080)(Optional for Q Series) , 60fps@(1920x1080, 1280x960, 1280x720, 704x576)
Secondary Stream		120fps@(704x576)(Optional for Q Series) , 60fps@(704x576, 640x480, 640x360, 352x288, 320x240, 320x192, 320x176)
Tertiary Stream		30fps@(1920x1080, 1280x720, 704x576, 640x480, 640x360, 320x240, 320x192, 320x176)
Video Compression		H.265 ⁺ /H.265(HEVC)/H.264 ⁺ /H.264/MJPEG
Video Bit Rate		16Kbps~16Mbps(CBR/VBR Adjustable)
Image Setting		Brightness/Contrast/Saturation/Sharpness
Network	Ethernet	1*RJ45 10M/100M Ethernet Port
	Network Storage	NAS(Support NFS, SMB/CIFS)
	Protocol	IPv4/IPv6, TCP, UDP, RTP, RTSP, RTCP, HTTP, HTTPS, DNS, DDNS, DHCP, FTP, NTP, SMTP, SNMP, UPnP, SIP, PPPoE, VLAN, 802.1x, QoS, IGMP, ICMP, SSL
Audio	Audio Compression	G.711/AAC
	Audio I/O	1/1
System	Alarm I/O	1/1
	Auto Back Focus	Support(Optional)
	Storage	Support microSD/SDHC/SDXC Card Local Storage, up to 256G
	Advanced Function	Privacy Masking, Backlight Compensation, HLC, 2D DNR, 3D DNR, ROI, Anti-fog, White Balance, EIS, IP Address Filtering
	SIP/VoIP Support	Yes, Voice & Video-over-IP
	Event Trigger	Black/White List, Motion Detection, Network Disconnection, Audio Alarm, External Input, etc.
	Event Action	FTP Upload, SMTP Upload, SD Card Record, External Output, SIP Phone, HTTP Notification, etc.
	License Plate Recognition	Support
General	System Compatibility	ONVIF Profile S & G
	Working Temperature	-40℃~60℃
	Working Humidity	0~90%(Non-condensing)
	Power Supply	PoE (802.3af)/ DC 12V±10%
	Power Consumption	2.5W MAX for -PB Series 7W MAX for -EPB Series
	Weight	407g
	Dimensions	115mmX62mmX50mm
Warranty	3/5 Years	

LPR H.265 ABF Pro Box Network Camera



Structure Diagrams



Units: mm

Accessories Support

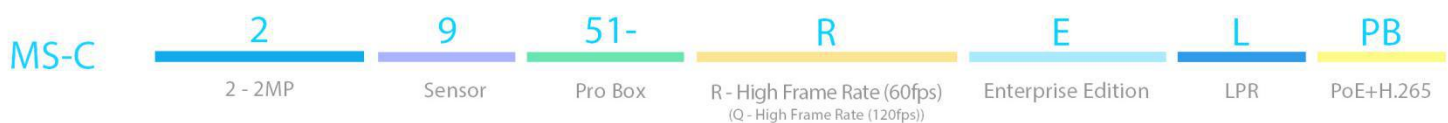
A51 Protective Housing

Weight: 1988g

Dimensions: 380*150*H mm(H is adjustable)



Naming Convention



Milesight Technology Co.,Ltd. | www.milesight.com

Contact Us : sales@milesight.com support@milesight.com

Add: 220 NE 51st Street, Oakland Park, Florida 33334, USA
Tel: +1-800-561-0485

Add: 925, Anyang SK V1 Center, LS -ro 116beon-gil, Dongan-gu, Anyang-si, Korea
Tel: +82-31-990-7772

Add: No.23 Wanghai Road, 2nd Software Park, Xiamen, China
Tel: +86-592-5922772

